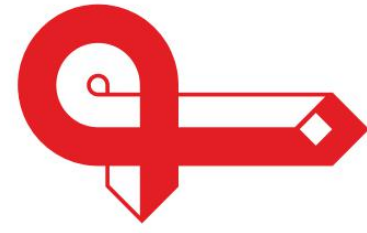


Grille box Side Entry



QUALITY DUCT SYSTEM
SHEET METAL FABRICATION, HVAC PRODUCTS, METAL DESIGN & FABRICATION

Drawn by

Approved by

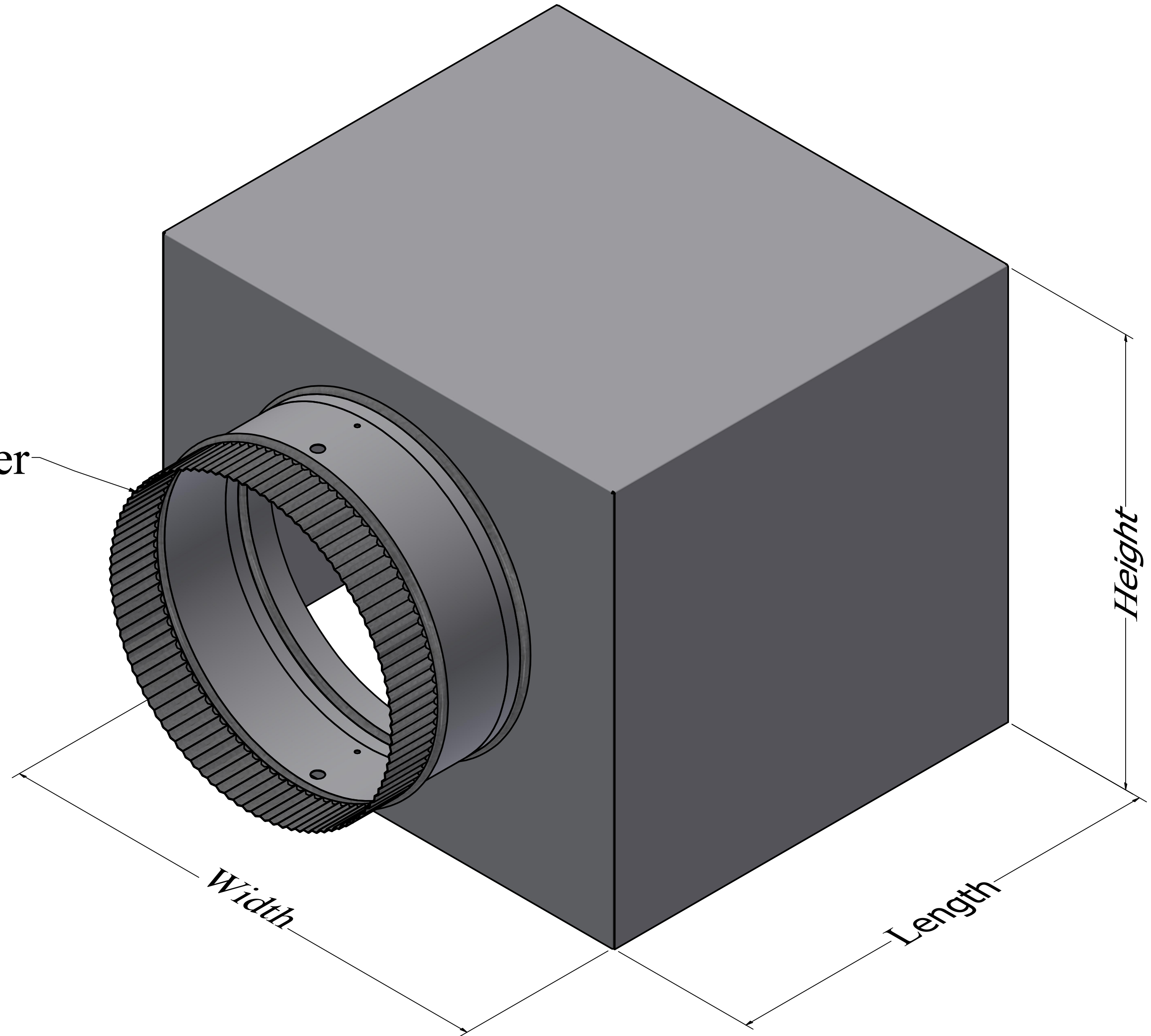
Scale

N.T.S

Date

Diameter (mm)		Height (mm)		
Width (mm)		Length (mm)		
Insulation (Circle one Or Specify)	5mm EXT Thermobreak	10mm EXT Thermobreak	Plain	Or Specify
NOTE: Default Height is Spigot + 100mm				

Diameter



Width

Length

Height